

# 4MP LightHunter Intelligent Vandal-resistant Dome Network Camera

IPC3234EA-HDZK



## Key Features



## Optics

- 1/1.8", Powered by lighthunter
- SmartIR, up to 40m (131 ft) IR distance
- Up to 120 dB Optical WDR (Wide Dynamic Range)

## Smart

- Automatic selection of best snapshots
- Face recognition, support front-end face recognition comparison, support allowlist and blocklist comparison
- Max supports 10000 faces in face library
- Support human body, human face, motor vehicle and non-motor vehicle image capture and attributes collection.
- People Counting, support tripwire people counting and area people counting
- Smart intrusion Prevention, support false alarm filtering, include Cross Line, Intrusion, Enter Area, Leave Area detection
- Exception Detection and Statistics, include Object Moving, Object Left, Defocus, Scene Change

## Compression

- Ultra 265, H.265, H.264, MJPEG
- Five streams
- 2688\*1520@60fps in the main stream
- ROI (Region of Interest)

## Network

- ONVIF Conformance

## Structure

- DC12V or AC24V or PoE power supply
- Wide voltage range of  $\pm 25\%$  in AC,  $\pm 25\%$  in DC
- Micro SD, up to 256 GB
- Alarm 1 in and 1 out, Audio 1 in and 1 out
- IP67 ingress protection
- IK10 vandal resistant

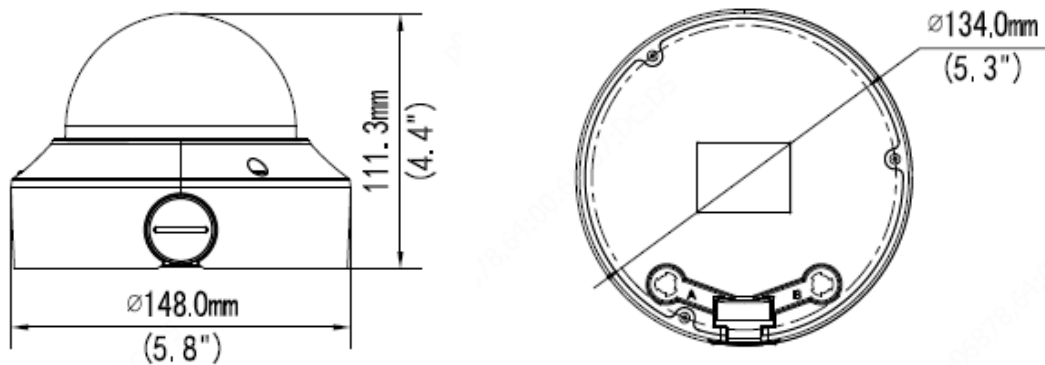
## Specifications

IPC3234EA-HDZK					
<b>Camera</b>					
Sensor	1/1.8", 4.0 megapixel, progressive scan, CMOS				
Lens	2.8-12mm@F1.2, AF automatic focusing and motorized zoom lens				
Iris	Auto aperture				
DORI Distance	Lens (mm)	Detect (m)	Observe (m)	Recognize (m)	Identify (m)
	2.8	63.0(206.6ft)	25.2(82.6ft)	12.6(41.3ft)	6.3(20.7ft)
	12	270(885.6ft)	108(354.2ft)	54(177.1ft)	27(88.6ft)
Angle of View (H)	42.6°~113.7°				
Angle of View (V)	24.1°~59°				
Angle of View (O)	48.9°~128.1°				
Shutter	Auto/Manual, 1 ~ 1/100000s				
Adjustment angle	Pan: 0°~355°		Tilt: 0°~70°		Rotate: 0°~355
Min. Illumination	Colour:0.0005lux (F1.2, AGC ON) 0 lux with IR				
WDR	120dB				
Day/Night	IR-cut filter with auto switch (ICR)				
S/N	>55dB				
IR Range	Up to 40m (131 ft) IR range				
Wavelength	850nm				
IR On/Off Control	Auto/Manual				
Defog	Digital Defog				
<b>Video</b>					
Video Compression	Ultra 265, H.265, H.264, MJPEG				
Frame Rate	Main Stream: 4MP(2688*1520),Max 60fps; 4MP(2560*1440),Max 60fps; 2MP(1920*1080),Max 60fps; Sub Stream: 2MP (1920*1080), Max 60fps; Third Stream: D1 (720*576), Max 60fps Fourth Stream: D1 (720*576), Max 60fps Fifth Stream: D1 (720*576), Max 60fps				
Video Bit Rate	128 Kbps~16 Mbps				
ROI	Supported				
Video stream	Five streams				
OSD	Up to 8 OSDs				

Privacy Mask	Up to 8 areas (8 blacks / 8mosaic)
<b>Image</b>	
White Balance	Auto/Outdoor/Fine Tune/Sodium Lamp/Locked/Auto2
Digital noise reduction	2D/3D DNR
Smart IR	Support
Flip	Normal/Flip Vertical/Flip Horizontal/180°/90°Clockwise/90°Anti-clockwise
HLC	Support
BLC	Support
<b>Smart</b>	
Smart intrusion Prevention	Support false alarm filtering, Line crossing detection, Intrusion detection, Region entrance detection, Region exit detection ; Motion detection ;
Exception Detection And Statistics	Object Moving, Object Left, Defocus, Scene Change
Object Detection	Face capture, support human body and face associated ; Audio detection, Face recognition, Metadata
Face Recognition	Max support 16 face libraries Max supports 10000 faces in face library Support monitoring task, blocklist and allowlist comparison
Metadata	Support human body, human face, motor vehicle and non-motor vehicle image capture and attributes collection
Statistical Analysis	People counting, support tripwire people counting and area people counting
General Function	Watermark, IP Address Filtering, Tampering Alarm, Alarm input, Alarm output, Access Policy, ARP Protection, RTSP Authentication, User Authentication
<b>Audio</b>	
Audio Compression	G.711U,G.711A
Two way audio	Supported
Sampling Rate	8KHZ
<b>Storage</b>	
Edge Storage	Micro SD, up to 256 GB
Network Storage	ANR,NAS(NFS)
<b>Network</b>	
Protocols	IPv4, IGMP, ICMP, ARP, TCP, UDP, DHCP, PPPoE, RTP, RTSP, RTCP, DNS, DDNS, NTP, FTP, UPnP, HTTP, HTTPS, SMTP, 802.1x, SNMP, QoS, RTMP
Compatible Integration	ONVIF (Profile S, Profile G, Profile T), API
Client	EZStation Ezview EZLive
Web Browser	Plug-in required live view: IE9+, Chrome 41 and below, Firefox 52 and below
<b>Interface</b>	
Audio I/O	Audio cable
	1 Input: impedance 35kΩ; amplitude 2V [p-p]
	1 output: impedance 600Ω; amplitude 2V [p-p]
Alarm I/O	1/1
Network	1 x RJ45 10M/100M/1000M Base-TX Ethernet
<b>Certification</b>	
Certifications	CE: EN 60950-1 UL: UL60950-1 FCC: FCC Part 15
<b>General</b>	
	AC24V±25%, DC12V(±25%), PoE(IEEE 802.3af)

Power	Power consumption: Max 8W
	Support overcurrent protection , Input short circuit protection
Dimensions (∅ x H)	∅148 x 111.3mm(∅5.8" x 4.4")
Net Weight	1kg(2.2lb)
Material	Metal
Working Environment	-40°C~60°C(-40°F ~ 140°F), Humidity: ≤95% RH (non-condensing)
Storage Environment	-40°C~70°C(-40°F ~ 158°F), Humidity: ≤95% RH (non-condensing)
Surge protection	6KV
Vandal Resistant	IK10
Ingress Protection	IP67

## Dimensions



## Accessories

TR-JB04-C-IN



TR-JB07/WM04-B-IN



TR-WM04-IN



TR-FM152-A-IN



TR-SM04-IN



TR-A01-IN



TR-UP06-IN



TR-SE24-IN

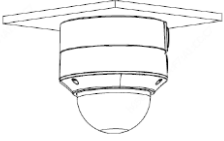
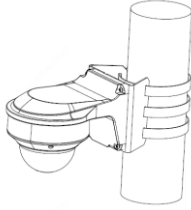
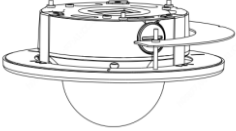
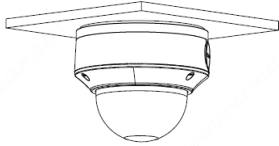
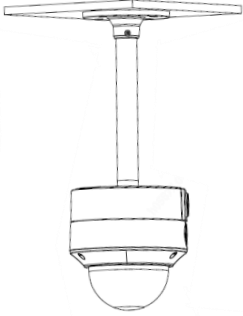


TR-SE24-A-IN



TR-CM24-IN



Junction Mount	Pole Mount
TR-JB04-C-IN+ TR-A01-IN	TR-JB07/WM04-B-IN、 TR-WM04-IN+TR-UP06-IN
	
In-ceiling mount	Electric-box Transfer plate
TR-FM152-A-IN	TR-SM04-IN
	
Indoor pendent mount	
TR-JB04-C-IN + TR-SE24-IN/TR-SE24-A-IN + TR-CM24-IN	
	

**Zhejiang Uniview Technologies Co., Ltd.**

Building No.10, Wanlun Science Park, Jiangling Road 88, Binjiang District, Hangzhou, Zhejiang, China (310051)

Email: [overseasbusiness@uniview.com](mailto:overseasbusiness@uniview.com); [globalsupport@uniview.com](mailto:globalsupport@uniview.com)

<http://www.uniview.com>

©2020 Zhejiang Uniview Technologies Co., Ltd. All rights reserved.

\*Product specifications and availability are subject to change without notice